

**COMING
SOON**

LW44A SPEED-MAX 200



PLUS

- Reduced size
- Heating air manual switch
- Fast drying
- Lon generator for air purification

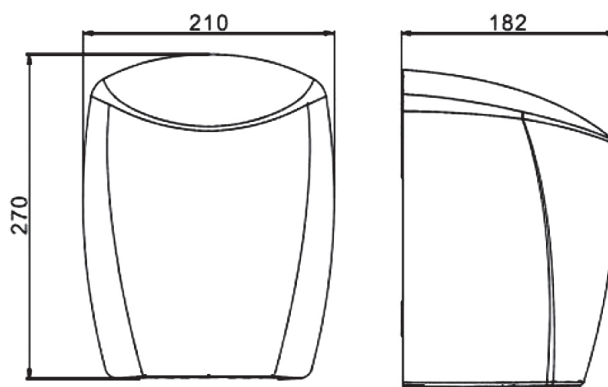
APPLICATION INDICATION

- Suitable for limited space of installation with high volume of users
- Suitable where the automatic control of outlet air temperature is needed

FUMAGALLI LW44A SPEED-MAX 200

Vertical microjets hand dryer

Compact hand dryer, operated by photocell, provides a wide airflow through powerful microjets for the desired time. The reduced size makes it particularly suitable for small toilets or for installation between mirrors above sink. The hand dryer is equipped with a specific switch for the activation of the heating element for heating airflow and with a ion generator for environment purification or in alternative for smell softening.



	LW44A NATUS SPED-MAX 200
Activation	Sensor
Cover material	Bright Chromed Aluminium/Enamelled White
Finishing	Bright/Enamelled
Electrical protection level	Class I
Ingress protection level	IPX1
Supply voltage	220/240 V
Main frequency	50/60 Hz
Motor power	550
Heating element	700 W
Total absorption	From 550 to 1250 W
Maximum absorption with drying cycle	4,08 W
Temperature regulator	-
Fixed outlet airspeed	288 km/h
Air flow	516 m ³ /h
Average drying time	8 - 12"
Noise level dB	82 dBA at 1 m
LED maintenance warning	-
Filter	Yes
UV device	Lon generator
Test certificate	Yes
Pcs/Box	1
Pcs/Pallet	-

**COMING
SOON**

**SPECIAL
PRICE
2015/2016**

Standard range



LW44SM-200 (b)
Enamelled white



LW44SM-200 (l)
Bright