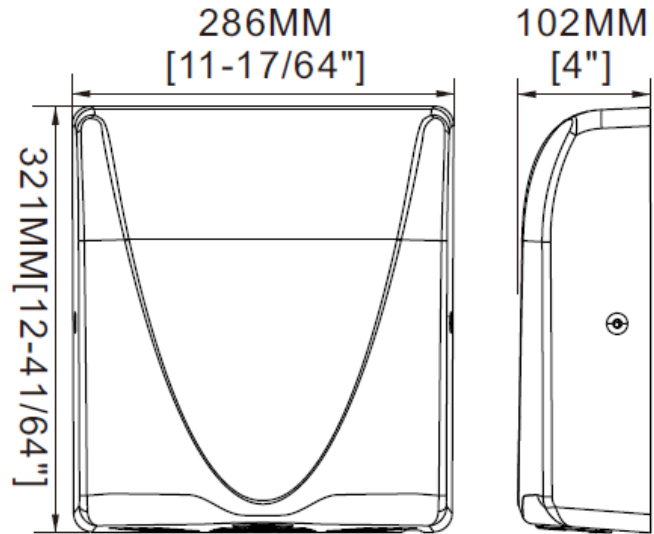


SPEED MAX 300

ULTRA-FAST ELECTRIC HAND DRYER (BRUSHLESS MOTOR) WITH HOT AIR



ASSORTMENT

SM-300AI04JT000	Polished	SM-300AS02JT000	Anthracite
SM-300AI05JT000	Brushed	SM-300AS01JT000	White



SPECIFICATION ITEM

Compact electric hand dryer with activation by photocell and brushless motor. Stainless steel lid. Locking system with steel screws. Equipped with an On-Off switch for turning on the heating element. Motor speed adjustable. Anti-vandal system with automatic shutdown after 60 seconds of continuous operation. Equipped with automatic air heating switch-off system if the room temperature exceeds 25 °C. Possibility of adjusting photosensor reading distance. Drying time: 10-12". Operating voltage: 220/240 V. Mains frequency: 50/60 Hz. Total power consumption: from 550 to 1250 W. Electrical protection: Class I. Degree of internal protection: IP23. Equipped with HEPA-13 filter and UVC lamp for bacterial loads abatement. Brushless motor power: 550 W.

<p>High speed brushless motor 550 W</p>	<p>Activation by infrared sensor</p>	<p>Drying time 10-12" automatic air shutdown after 60"</p>	<p>Hepa-13 filter and UVC lamp at air inlet to prevent growth of bacterial loads</p>	<p>Externally visible service blue LED to guide hands to air flow</p>	<p>Dual protection heater by Thermostat & Thermal cut-off</p>	<p>ON/OFF switch for heat element</p>
<p>Safety grounding</p>	<p>Convenient plug-in feature & optional hardware installation</p>	<p>Fireproof key plastic parts & stainless-steel cover</p>	<p>Easy maintenance, easy wall-mounted & anti-theft lock</p>	<p>Adjustable levels of speed & sound</p>	<p>4" – 10 cm depth, ADA-compliant</p>	<p>Automatic heater shutdown if room temperature exceeds 25 °C</p>

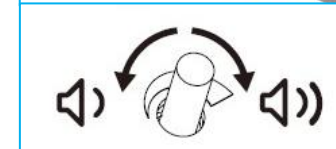
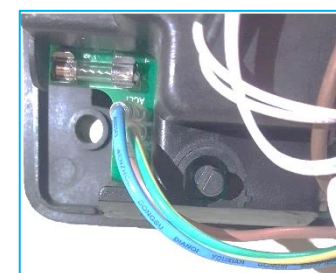
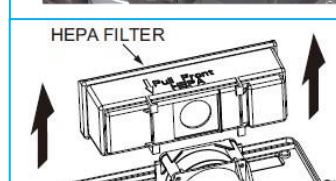
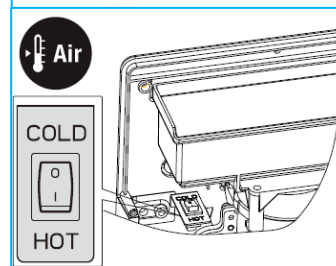
ULTRA-FAST ELECTRIC HAND DRYER

TECHNICAL SPECIFICATIONS

	Sm300
activation	sensor
motor	38000 RPM, 550 W brushless
voltage (-1)	110-120 V; 60 Hz; 8,3 A; 1000 W
voltage (-2)	220-240 V; 50/60 Hz; 4,3 A; 1000 W
air temperature	40°C; room temperature 25°C
air outlet speed	100 m/s; 360 km/h
airflow	130 m ³ /h
average drying time	10-12"
sensor range	5-15 cm
filter	Hepa-13
sanitizing device	LED UVC
degrees of internal protection	IP 23
electrical protection	Class I
noise [at 1 m]	74 dB
lid material	stainless-steel
gross weight	4,0 kg
net weight	3,5 kg

Additional benefits

Hepa-13 filter	Absolute filter. Efficient filtration of harmful particles ensuring abatement of bacterial loads.
UVC lamp	Direct germicidal action on the DNA of cells of bacteria, viruses and micro-organisms.
Brushless motor	Performing, no brushes to be replaced! By adjusting the motor speed, it is possible to: - modify the noise level; - considerably reduce electricity consumption.
Energy consumption	(without altering user comfort) Automatic shutdown after 60 seconds of continuous operation.
Antivandal	The ON/OFF switch for turning the resistor on or off makes it possible to: - significantly reduce electricity consumption (switch position off); - switch on the heater power supply (in case a high air temperature is desired or if the installation is planned in unmanned open bathrooms).
**ON/OFF switch	
Air outlet indicator light	Blue semi-circular LED light guides the user towards the airflow.



****The SM300 hand dryer is already equipped with an automatic air heating switch-off system if the room temperature exceeds 25 °C.**

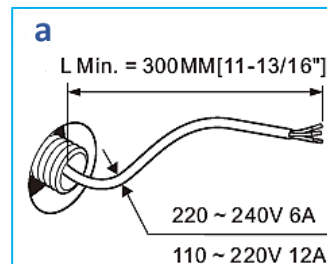
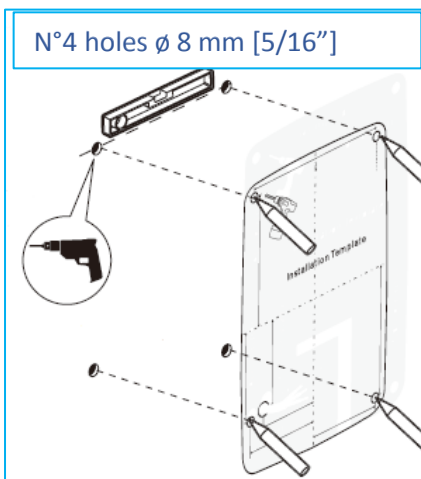
SPEED MAX 300

ULTRA-FAST ELECTRIC HAND DRYER

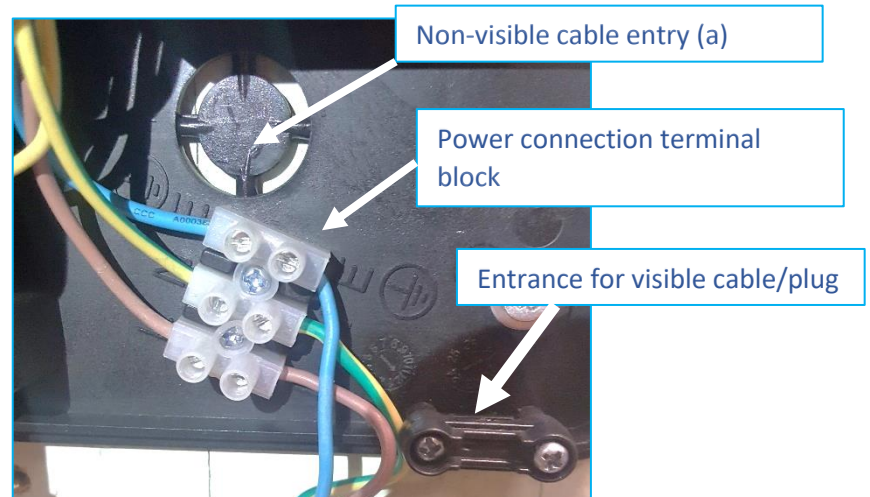
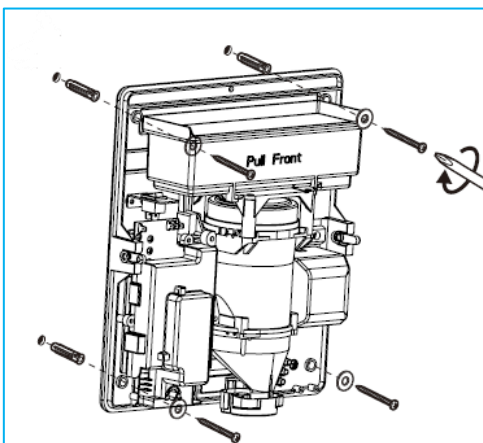
INSTALLATION

- Ensure that the power switch is turned off.
Installation must comply with the regulations in force in your country.
Installation should only be carried out by a qualified electrician.
- Position the template against the wall at the desired height (see installation height recommendations on the following page).
Mark the positions of the 4 mounting holes and the wiring service inlet in the chosen position.
Note: In order to have two or more drying units aligned/parallel, the units must not be fixed closer than 610 mm [24"] from the centre.
- Remove and retain the 2 cover screws and the cover.
- a. For wall power supply (concealed)*:
Provide the power supply cable and connect it to the terminal block with a cable grommet (not supplied).
- b. For power supply with surface mount plug cable (exposed):
Provide appropriate cable duct at inlet position and secure with correct strain relief connector (not supplied).
- Drill four (4) holes at the positions indicated on the supplied paper template (diameter $\varnothing 8 \times 35 \text{ mm}$ [1-3/8"])
For wall installation the fixing kit is supplied. Install the supplied anchors flush with the wall.
For fixings on other types of walls, contact a specialist.
- Connect the power and earth cables to the terminal block where indicated.

FOR FURTHER INFORMATION SEE INSTRUCTION MANUAL



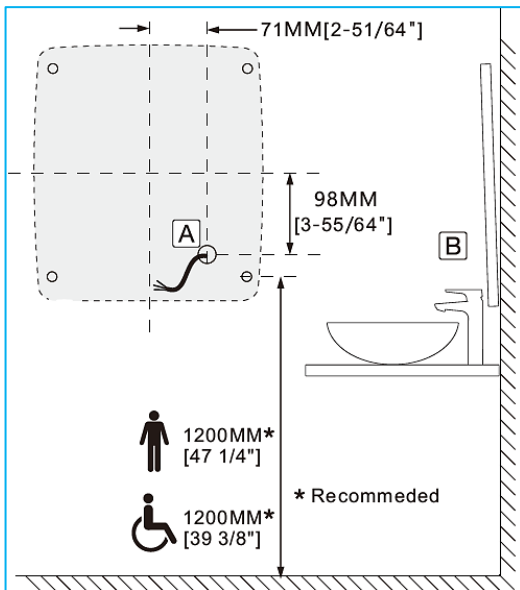
*For the installation of electrical connections out of sight, a cable leaving the wall no less than 300 mm long with a cable cross-section of 1.5 sq. mm is recommended.



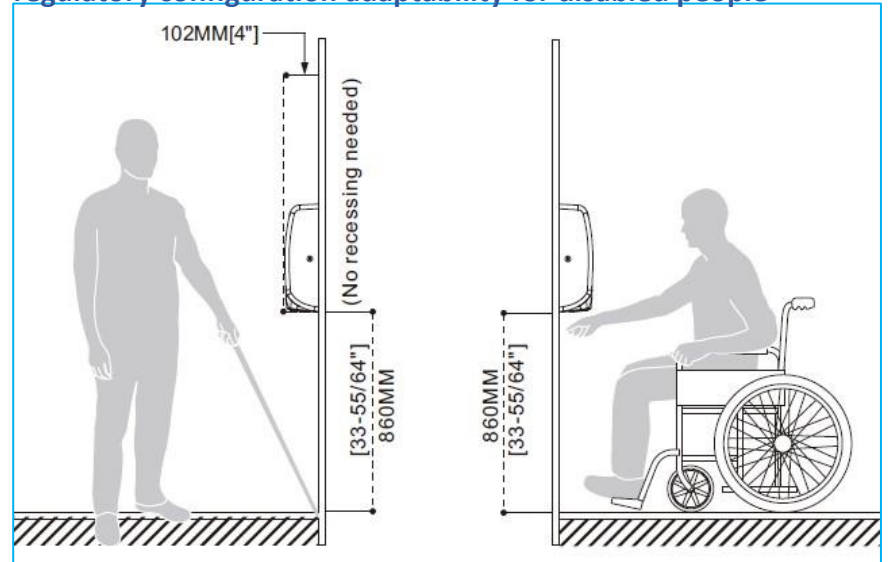
SPEED MAX 300

ULTRA-FAST ELECTRIC HAND DRYER

INSTALLATION RECOMMENDATIONS

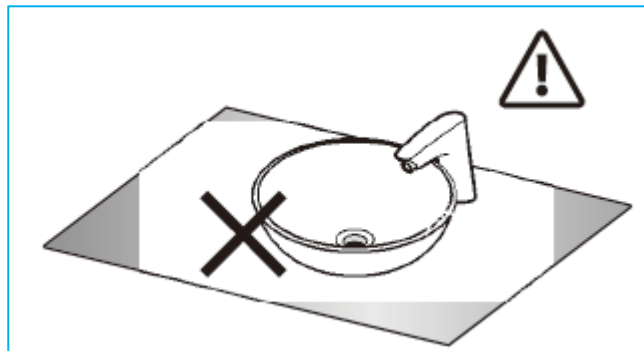


regulatory configuration adaptability for disabled people



WARNINGS

It is recommended to avoid installing the HAND DRYER near highly reflective objects (mirrors, stainless steel washbasins, etc.) in order to avoid malfunctioning of the presence sensor.



Our HAND DRYERS are designed and manufactured to provide years of reliable performance.

The components are guaranteed to be free from defects for a period of one (1) year from the date of the original invoice. This guarantee will be honoured provided that the HAND DRYER is installed and maintained according to the instructions.

Parts damaged during installation are the responsibility of the purchaser. The guarantee only covers defective parts.

This guarantee does not cover wear and tear or misuse and abuse. Transport and labour costs are also excluded.

Defective parts must be returned, accompanied by the serial number, to the point of purchase.

This guarantee is only granted to the original purchaser and is subject to registration.

SPEED MAX 300

ULTRA-FAST ELECTRIC HAND DRYER

CLEANING AND MAINTENANCE

Make sure the power switch is turned off or disconnect the power supply to the hand dryer.

After this precaution, cleaning can be carried out.

Periodic cleaning of the unit is recommended. Remove the cover and clean the lint from the dryer dust.

Stainless steel is highly resistant to rust, but there are some very strict cleaning and maintenance rules to follow to avoid damage to its appearance.

Apply specific detergents formulated for these purposes (non-ionic surfactants and citric acid).

Apply the detergent with a soft cloth. Do not use abrasive cloths, they could scratch the surface.

Rinse with water until all detergent has been removed.

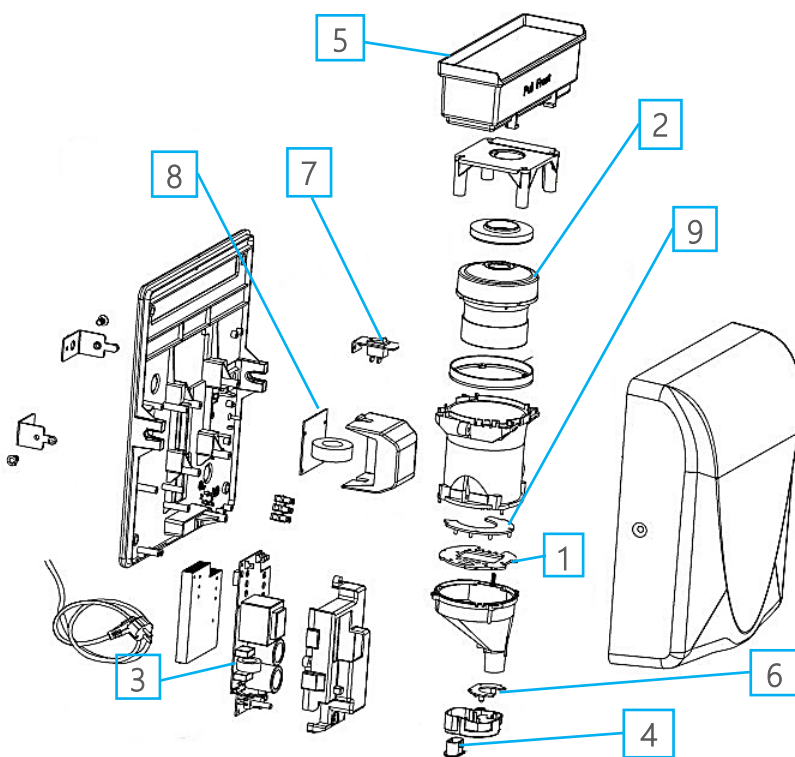
Residues of hygiene products, liquid soap, shampoo, bath gel, etc. can also damage the surface.

Rinse the surface after use.

Limescale stains can be prevented by drying the surface with a soft cloth after use.

Replace the HEPA-13 filter according to the frequency of use of the hand dryer.

SPARE PARTS



1	SMR300-121	SPEED-MAX 300 RESISTANCE
2	SMR300-122	SPEED-MAX 300 BR. MOTOR
3	SMR300-155	ELECTRONIC CARD
4	SMR300-156	PHOTOSENSOR
5	SMR300-500	HEPA-13 FILTER
6	SMR300-157	COURTESY LED
7	SMR300-158	RESISTANCE ON/OFF SWITCH
8	SMR300-159	PFC ANTI-INTERFERENCE FILTER
9	SMR300-160	UVC LED

PACKAGING AND EQUIPMENT

N°1	Main unit (HAND DRYER) cardboard box h x w x d (37x33x14cm)
N°4	Plastic plugs for wall mounting
N°4	Steel screws for wall mounting
N°1	Special spanner for lid removal/installation
N°1	Instruction manual
N°1	Drilling jig (paper)



WARNINGS FOR THE CORRECT DISPOSAL OF THE PRODUCT ACCORDING TO EUROPEAN DIRECTIVE 2002/96/EC.

At the end of its useful life, the product must not be disposed of with municipal waste. It can be handed in at the special separate collection centres set up by municipal authorities, or at retailers who provide this service. Disposing of a household appliance separately avoids possible negative consequences for the environment and health resulting from its inappropriate disposal and allows the materials from which it is made to be recovered in order to achieve significant savings in energy and resources.